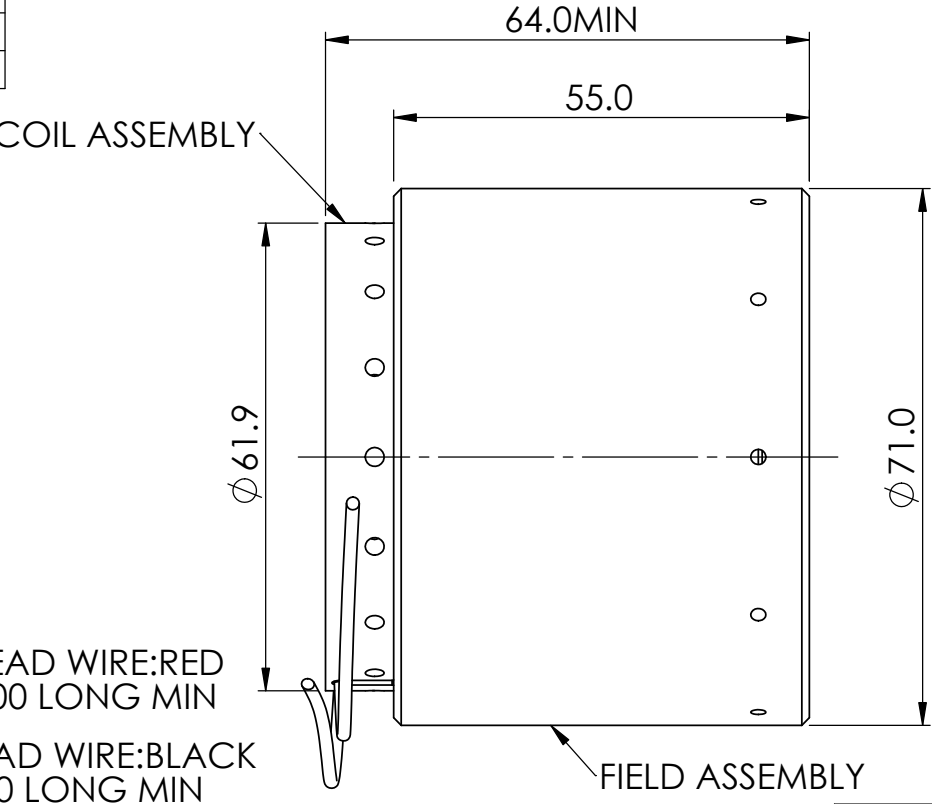
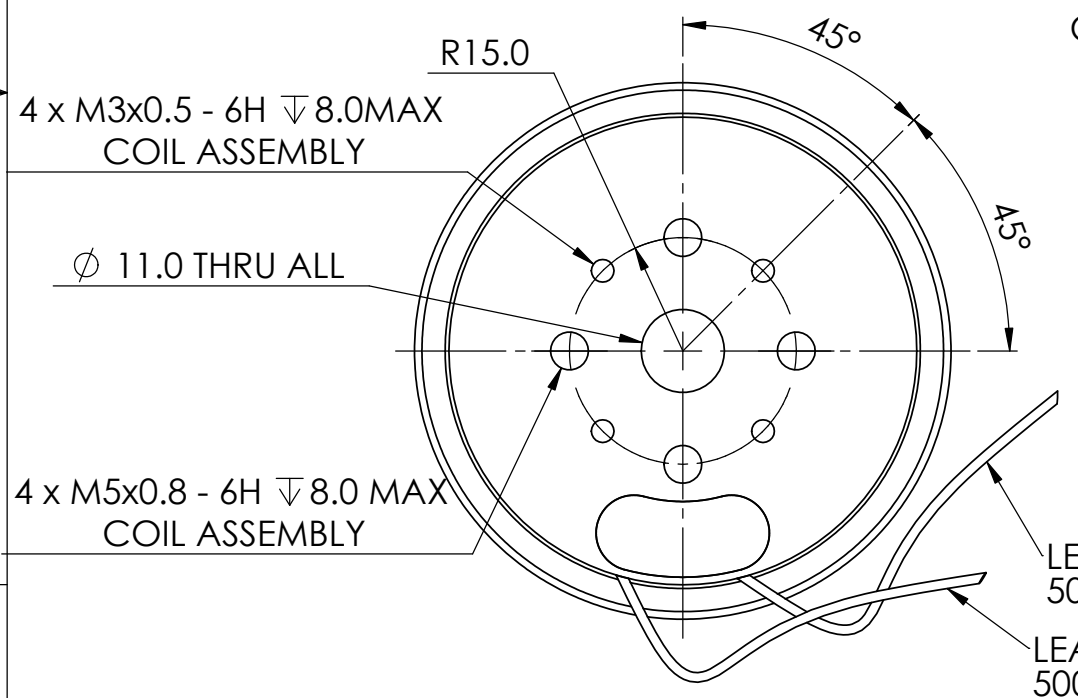
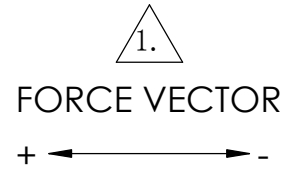
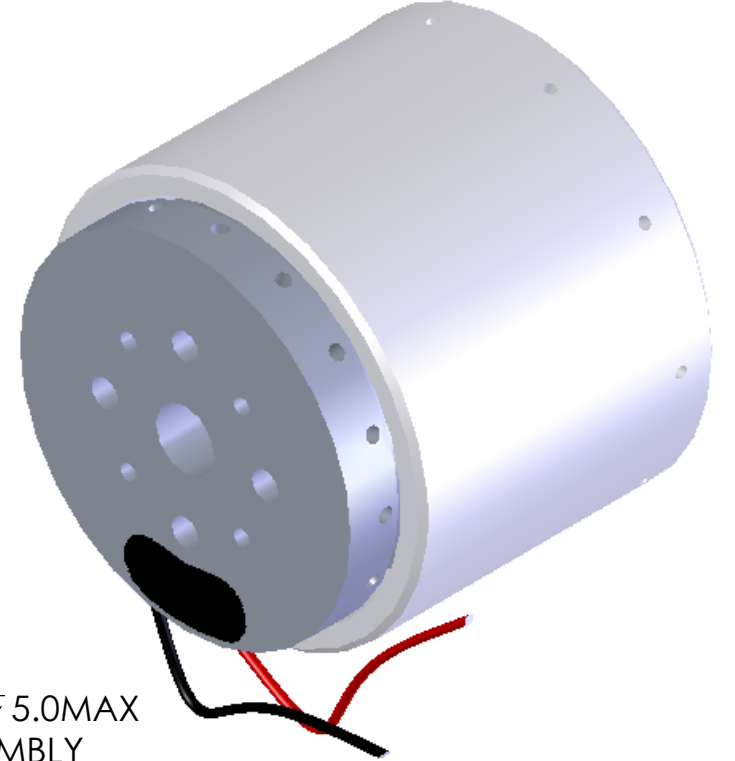


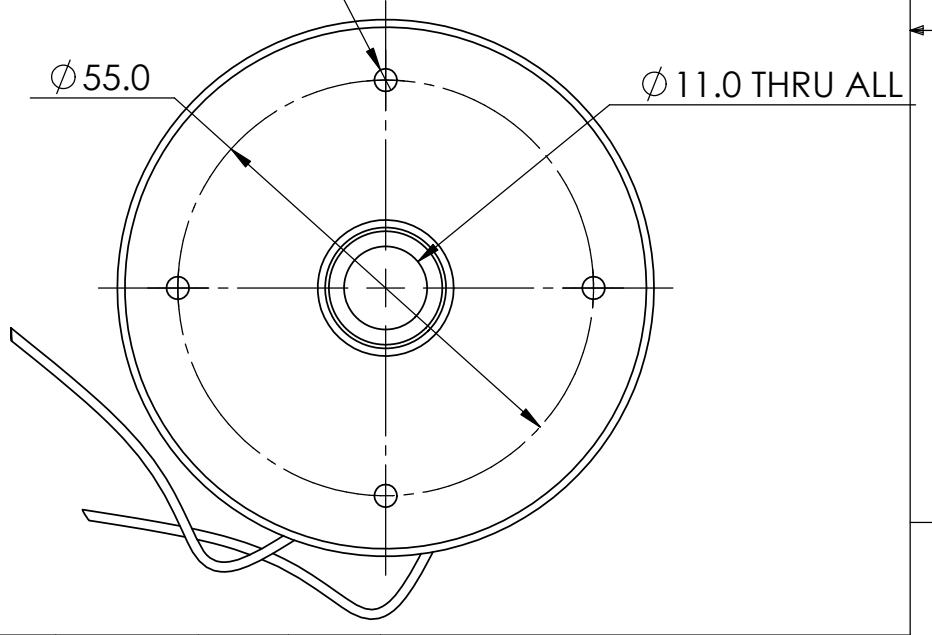
WINDING CONSTANT	TOL	SYM	VALUE	UNITS
DC RESISTANCE	± 10%	R	5.5	OHMS
VOLTAGE @ Fp	NOMINAL	Vp	35.1	VOLTS
CURRENT @ Fp	NOMINAL	Ip	6.4	AMPS
FORCE SENSITIVITY	± 10%	Kf	41	N / A
BACK EMF CONSTANT	NOMINAL	Kb	41	V/M/Sec
INDUCTANCE*****	± 30%	L	4.3	mH
ACTUATOR PARAMETER		SYM	VALUE	UNITS
PEAK FORCE *		Fp	262	N
CONTINUOUS FORCE **		Fc	111	N
CONTINUOUS FORCE WITH HEAT SINK		Fc	159.6	N
ACTUATOR CONSTANT		Ka	17.5	N/√w
ELECT TIME CONSTANT		Te	0.78	milli-sec
POWER I <sup>2</sup> R@Fp		Pp	224.5	W
TOTAL STROKE		S	11.2	mm
CLEARANCE ON SIDE OF COIL		CL	0.5	mm
THERMAL RESISTANCE ***		θth	3.1	C / W
THERMAL RESISTANCE WITH HEAT SINK****		θth	1.5	C / W
MAX WINDING TEMP		Tmax	150	C
WEIGHT OF COIL ASSEMBLY		WTc	275	g
WEIGHT OF FIELD ASSEMBLY		WTf	1160	g
WEIGHT OF ACTUATOR		WTa	1435	g

\* 10 sec @ 25C ambient, 150C coil temp.  
 \*\* 25C ambient, 150C coil temp.  
 \*\*\* In free air.  
 \*\*\*\* Measured with 250×250×10mm heat sink.  
 \*\*\*\*\* Measured with BK PRECISION 875B.

REV	ECO NO.	DESCRIPTION	DRN	APP'D	Q.A.	DATE
X1	---	INITIAL RELEASE	BWZ	WYG	LBQ	07/04/27
X2	100078	UPDATE DATA SHEET TO REFLECT TEST RESULT	BWZ	WYG	LBQ	07/09/15



4×M3×0.5-6H ∇ 5.0MAX  
FIELD ASSEMBLY



2.INSULATION RESISANCE:100 MEGOHMS MINIMUM AT 500 VDC.  
 ▲ A POSITIVE(+)VOLTAGE APPLIED TO THE RED LEAD WILL PRODUCE A FORCE ON THE COIL ASSEMBLY IN POSITIVE (+) DIRECTION.  
 NOTES:UNLESS OTHERWISE SPECIFIED

**PROPRIETARY AND CONFIDENTIAL**  
 THE INFORMATION CONTAINED IN THIS DRAWING IS THE SOLE PROPERTY OF USAS MOTION - SUZHOU, CHINA. ANY REPRODUCTION IN PART OR AS A WHOLE WITHOUT THE WRITTEN PERMISSION OF USAS MOTION - SUZHOU, CHINA IS PROHIBITED.

UNLESS OTHERWISE SPECIFIED:  
 DIMENSIONS ARE IN MM  
 TOLERANCES:  
 ANGULAR: MACH±0° 30'  
 ONE PLACE DECIMAL ±0.25  
 TWO PLACE DECIMAL ±0.1

INTERPRET GEOMETRIC TOLERANCING PER:  
 ANSI Y14.5M-1982.

DO NOT SCALE DRAWING

NAME	DATE
DRAWN: BWZ	07-04-27
CHECKED:	
ENG APPR.: WYG	07-04-27
MFG APPR.:	
Q.A.: LBQ	07-04-27
COMMENTS:	

**usas motion** Suzhou, China

TITLE:  
**LINEAR ACTUATOR**

SIZE <b>B</b>	DWG. NO. VLR0262-0112-00A	REV X2
SCALE: 1: 1		SHEET 1 OF 1